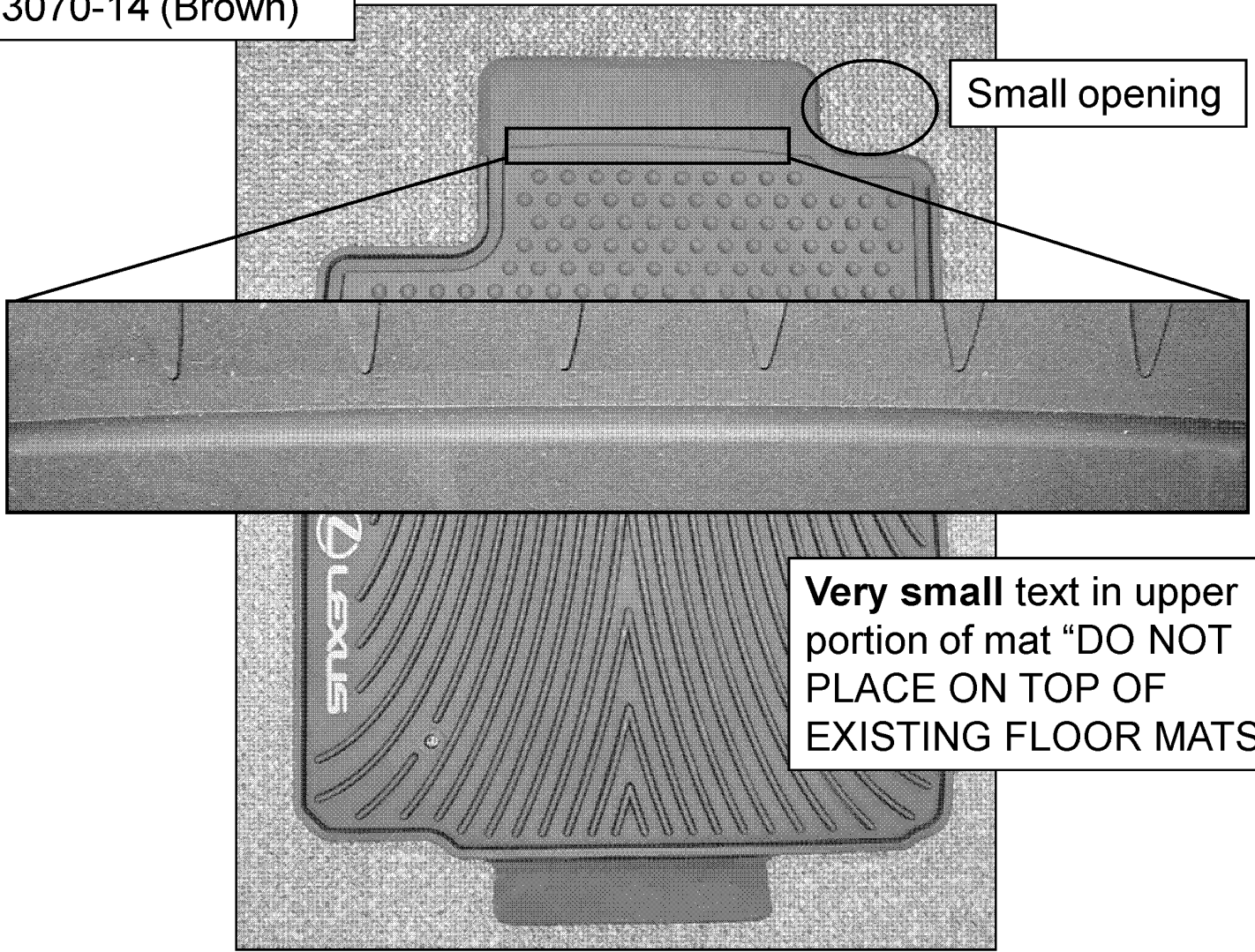


Original Mat: Part #'s

PT908-33070-02 (Black)

PT908-33070-11 (Gray)

PT908-33070-14 (Brown)



Small opening

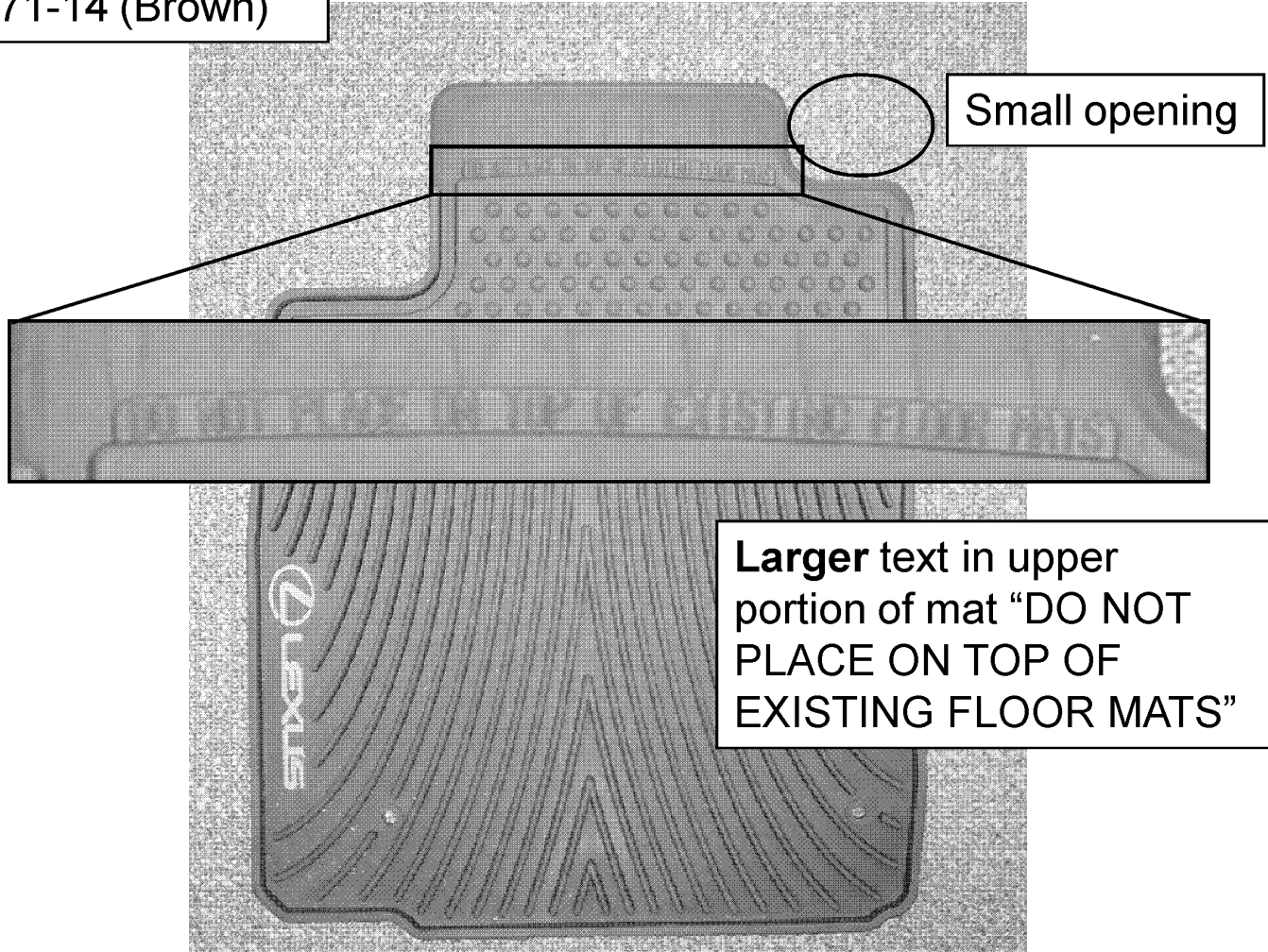
Very small text in upper portion of mat "DO NOT PLACE ON TOP OF EXISTING FLOOR MATS"

Interim Mat: Part #'s

PT908-33071-02 (Black)

PT908-33071-11 (Gray)

PT908-33071-14 (Brown)



Small opening

Larger text in upper portion of mat "DO NOT PLACE ON TOP OF EXISTING FLOOR MATS"

SSC Mat: Part #'s
PT908-3307F-02 (Black)
PT908-3307F-11 (Gray)
PT908-3307F-14 (Brown)

Large text in CENTER
portion of mat "DO NOT
PLACE ON TOP OF
EXISTING FLOOR MATS"

Larger opening

